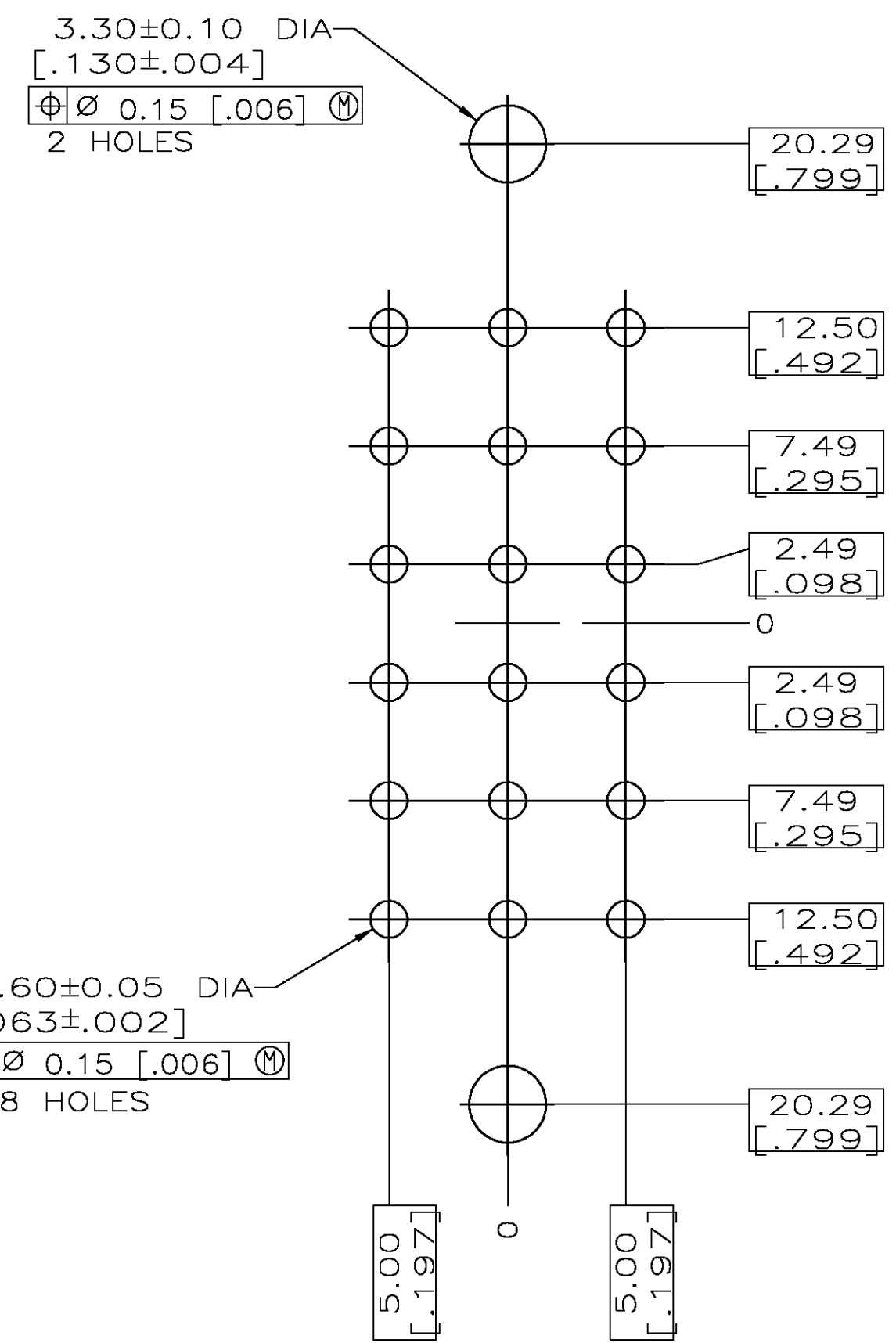
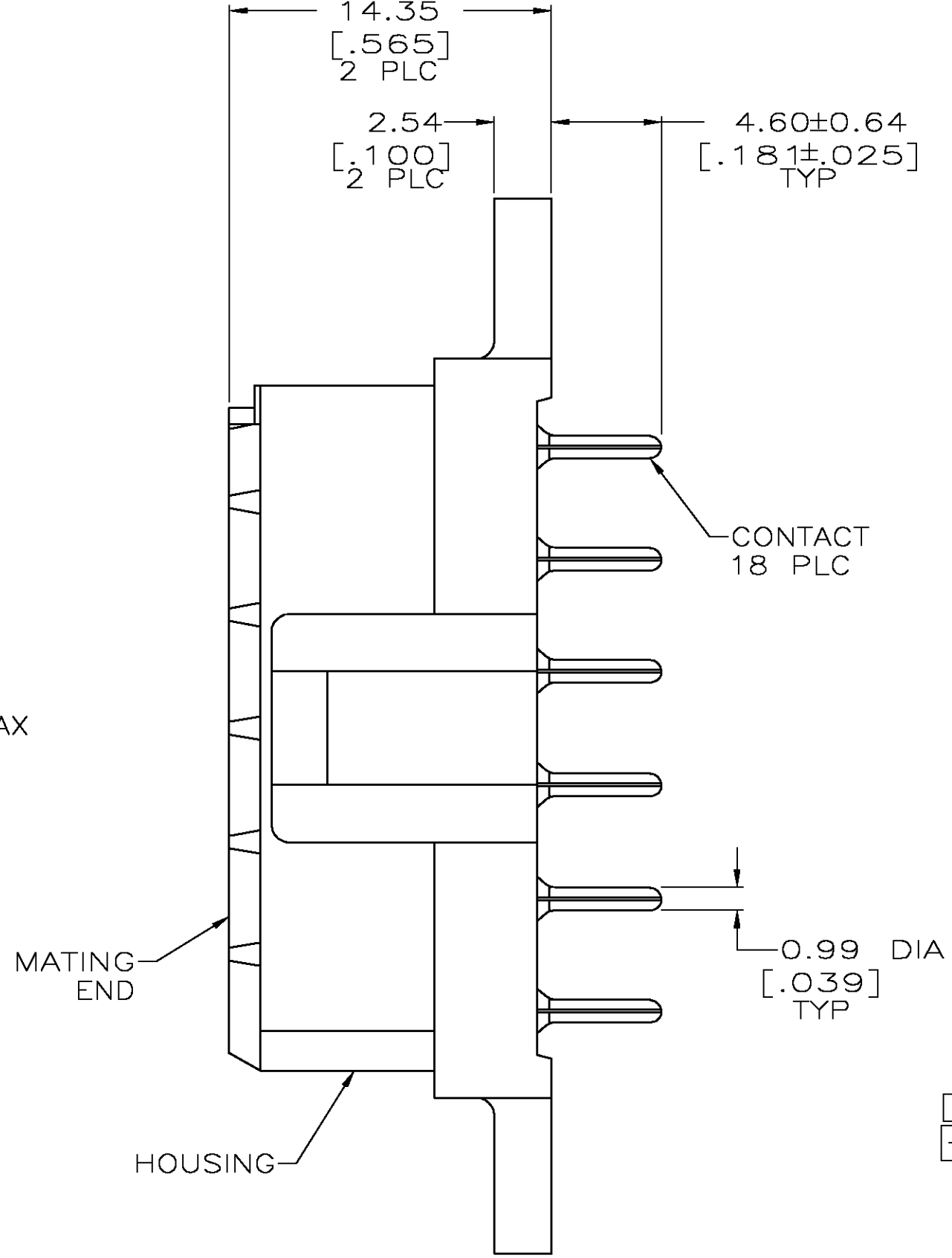
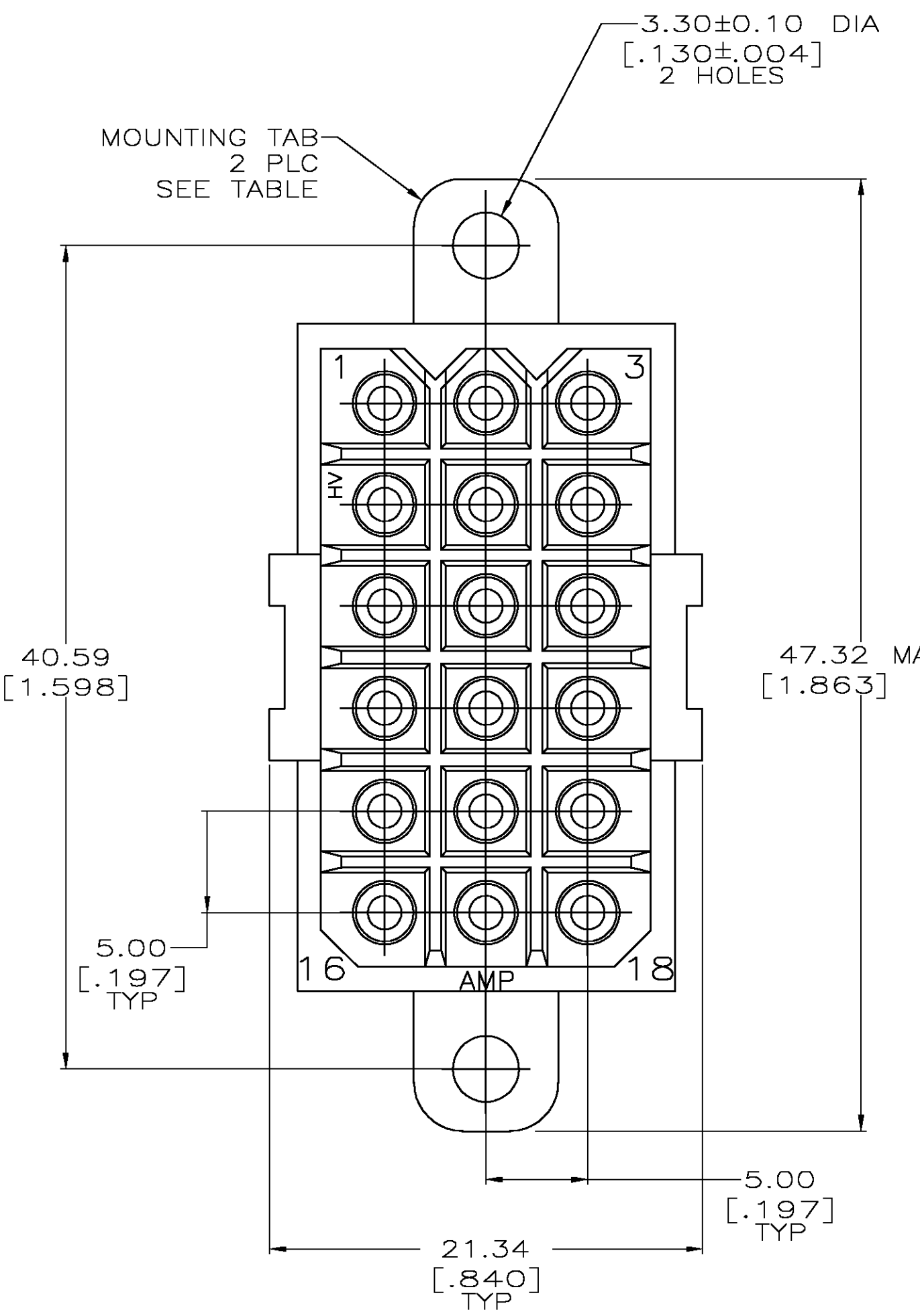


THIS DRAWING IS UNPUBLISHED. RELEASED FOR PUBLICATION
 © COPYRIGHT BY TYCO ELECTRONICS CORPORATION. ALL RIGHTS RESERVED.

LOC		DIST		REVISIONS			
P	LTR	DESCRIPTION		DATE	DWN	APVD	
FT	0	M	REVISED PER 0G3B-0170-05	4/11/05	SS	GS	



- ① NYLON, UL 94-V0 RATED, RED.
- ② PHOSPHOR BRONZE.
- ③ 3.81um [.000150] MIN TIN-LEAD OVER 1.27um [.000050] MIN NICKEL.
- ④ 0.76um [.000030] MIN GOLD FOR A LENGTH OF 4.95 [.195] MIN FROM MATING END, 3.81um [.000150] MIN TIN-LEAD FOR A LENGTH OF 4.88 [.192] MIN ON OPPOSITE END, BOTH OVER 1.27um [.000050] MIN NICKEL.
- ⑤ 3.81um [.000150] MIN TIN OVER 1.27um [.000050] MIN NICKEL.
- ⑥ 0.76um [.000030] MIN GOLD FOR A LENGTH OF 4.95 [.195] MIN FROM MATING END, 3.81um [.000150] MIN TIN FOR A LENGTH OF 4.88 [.192] MIN ON OPPOSITE END, BOTH OVER 1.27um [.000050] MIN NICKEL.

RECOMMENDED LAYOUT

CONTACT FINISH	MOUNTING TABS	PART NO
6	NO	1-207530-0
6	YES	207530-9
5	NO	207530-8
5	YES	207530-7
4	NO	207530-4
4	YES	207530-3
3	NO	207530-2
3	YES	207530-1

THIS DRAWING IS A CONTROLLED DOCUMENT.

DIMENSIONS: mm [INCHES]	TOLERANCES UNLESS OTHERWISE SPECIFIED:	DWN L.SIPE 03/19/92	Tyco Electronics Corporation Harrisburg, Pa 17105-3608
		CHK R.STONE 3-25-92	
		APVD A.TRAVIS 3-25-92	NAME SOCKET HEADER ASSEMBLY, 18 POSITION, METRIMATE
		PRODUCT SPEC 108-10033	
MATERIAL HOUSING: ①	CONTACT: SEE TABLE	APPLICATION SPEC	SIZE A2 CAGE CODE 00779 DRAWING NO C=207530 RESTRICTED TO
		WEIGHT	SCALE 4:1 SHEET 1 OF 1 REV M